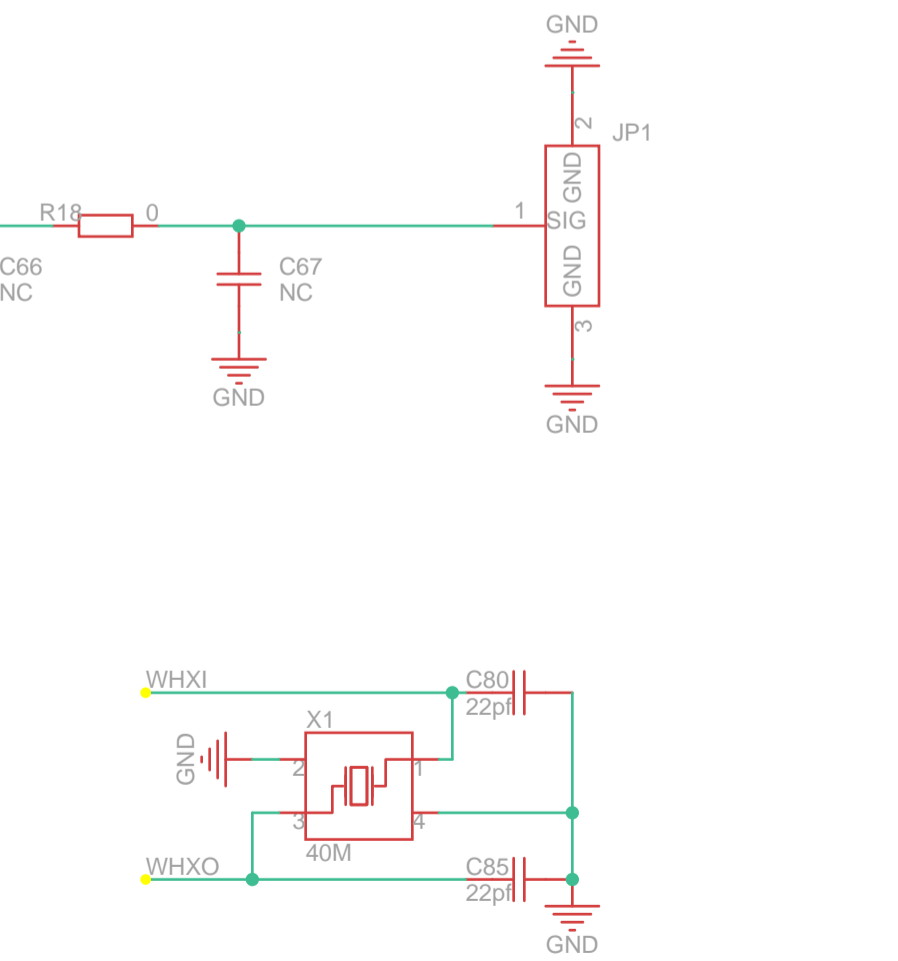
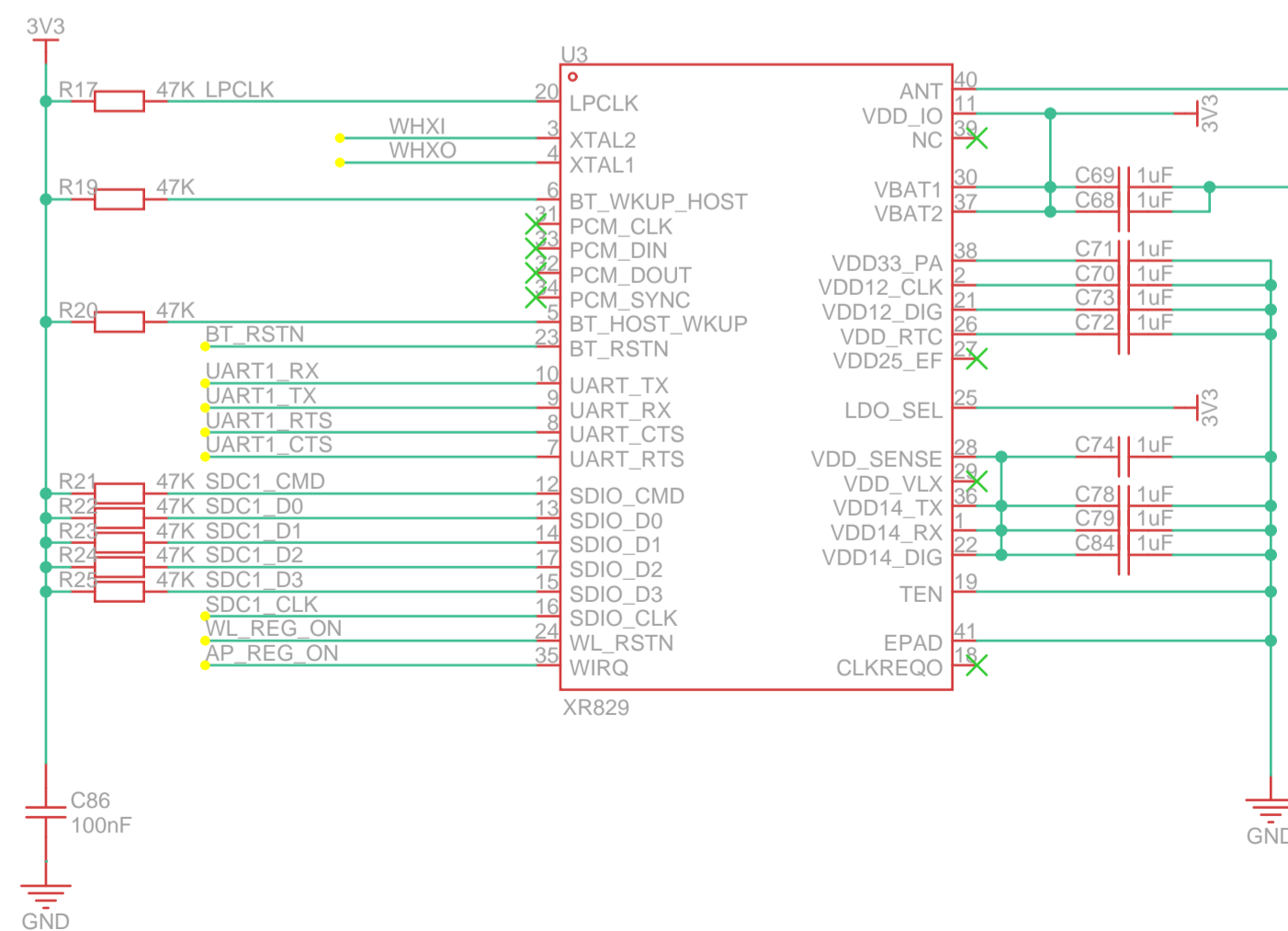
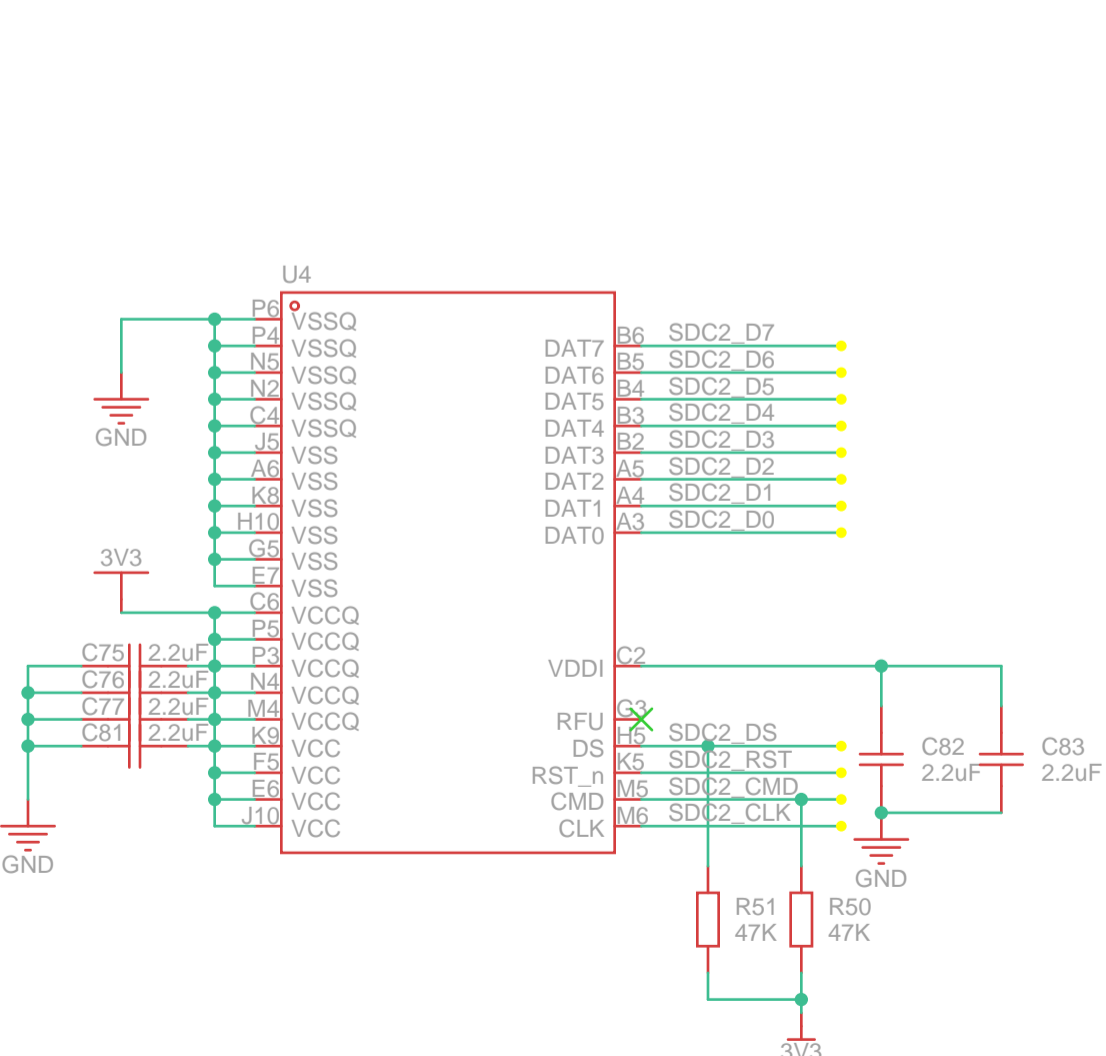
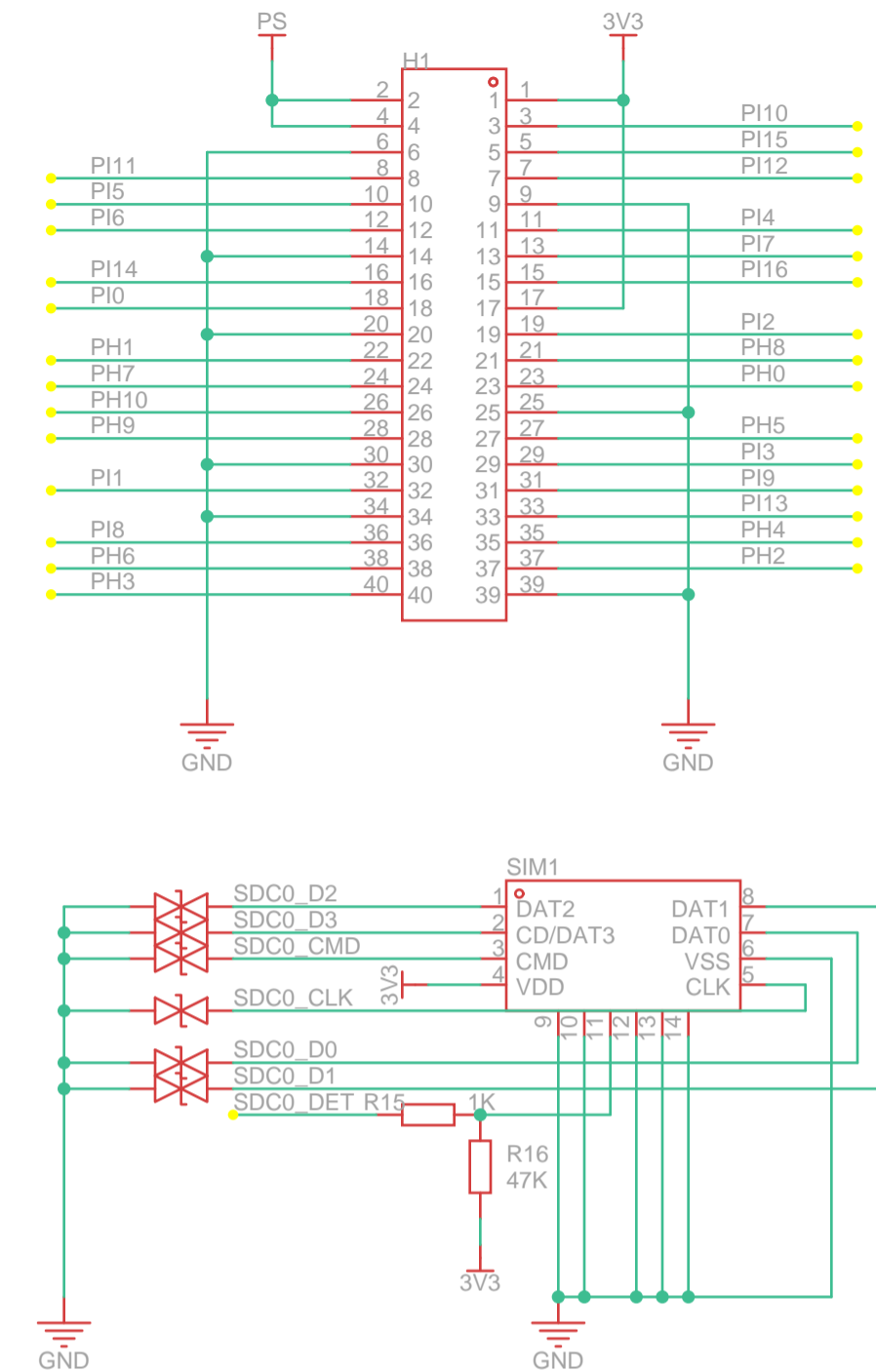
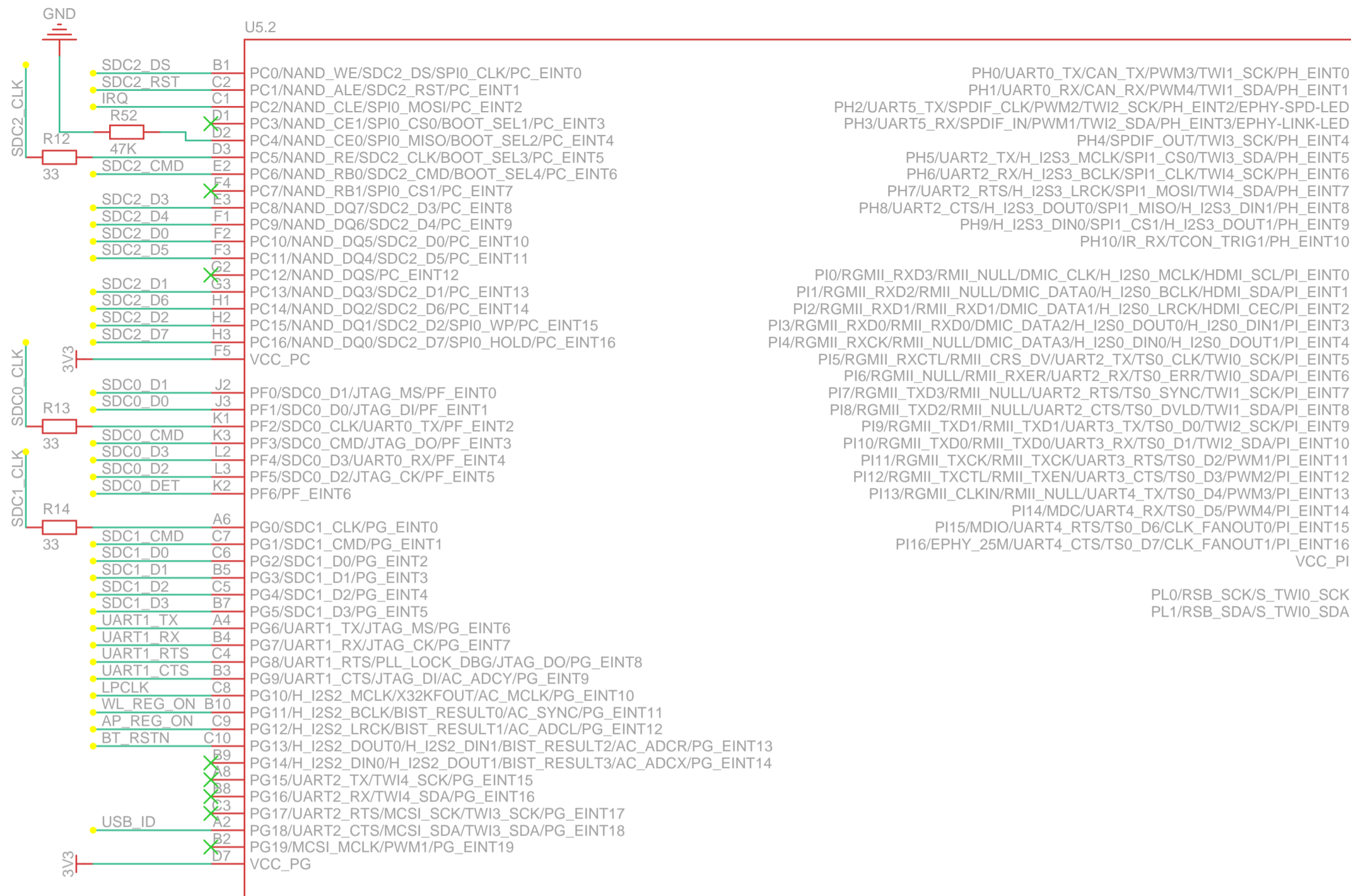


1101 BOOT SEL: SDCARD -> EMMC



|                                    |                       |                       |
|------------------------------------|-----------------------|-----------------------|
| TITLE: Yuzuki Chameleon 基于H616的开发板 |                       | REV: 1.0              |
| 立创EDA                              | Company: Your Company | Sheet: 1/1            |
|                                    | Date: 2022-03-08      | Drawn By: GloomyGhost |